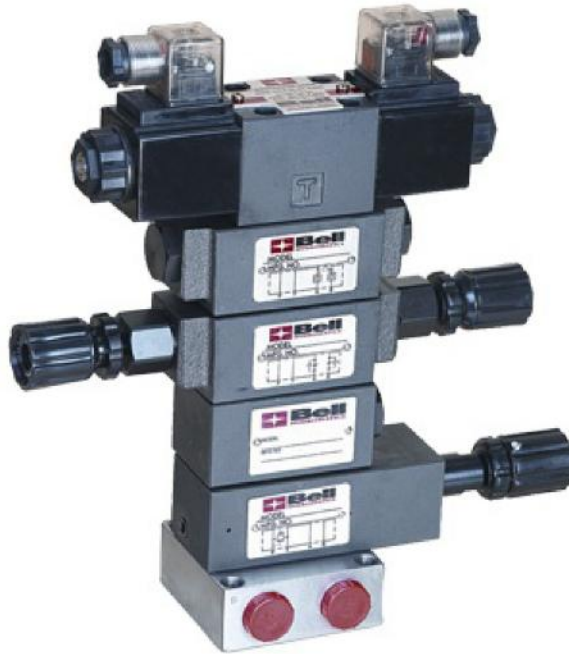


Bell Hydromatics



Check Modular Valves



Features

- This Valve is of the modular design improved from the check valve fitted in the P port or T port to prevent the oil from flowing in the reverse direction.
- With a valve of size 01,03,04,06 the check valve is incorporated between A,B port and T port. This check modular valve of a certain type can be used for suction.

Ratings

Model	Max operating Pres bar(PSI)	Max Flow lpm(USgpm)	Valve Size	Weight kg(lb)
MC* -01- *	250(3600)	50(13.2)	1/8"	1.1(2.4)
MC* -03- *	250(3600)	100(26.5)	3/8"	2.8(6.1)
MC* -04- *	250(3600)	190(50.2)	1/2"	7.0(15.4)
MC* -06- *	250(3600)	300(79.3)	3/4"	11.0(24.2)

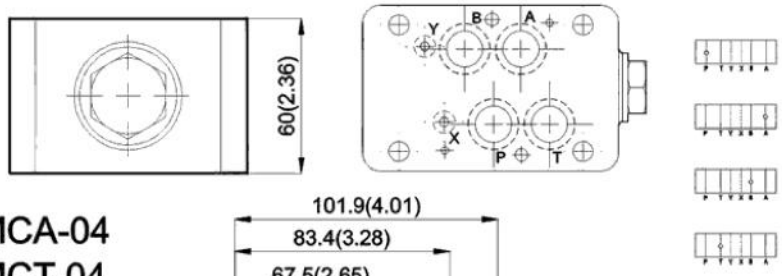
Model & Symbol	Model & Symbol
MCP-01(03)	MCP-04(06)
MCA-01(03)	MCA-04(06)
MCB-01(03)	MCB-04(06)
MCT-01(03)	MCT-04(06)

MCP -04 Check Valves(Modular Type)

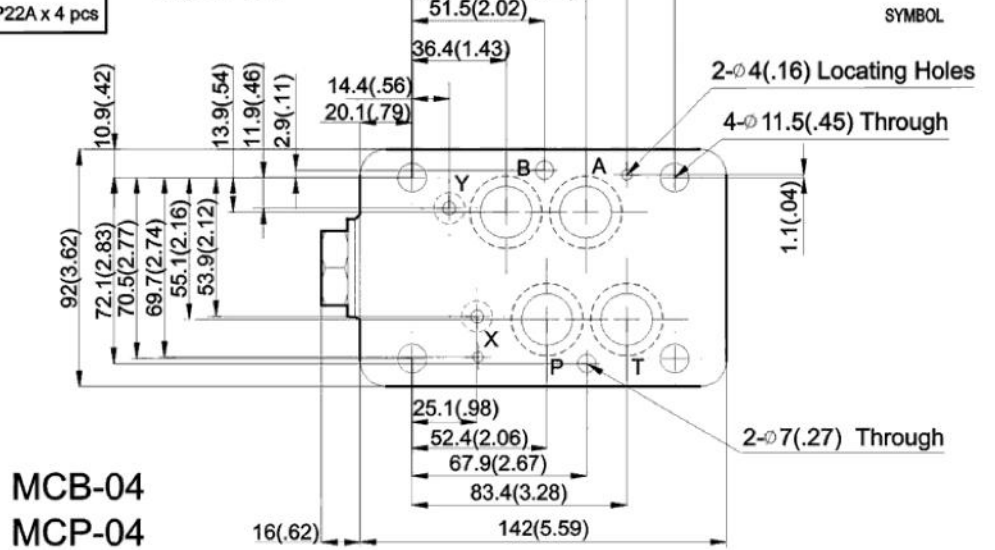
MOUNTING SURFACE:MC*-04-CETOP7
ISO 07-NFPAD07

Valve Specifications & Attachment

Flow Rating	190 lpm (50.2 gpm)
Max. Pressure	250 bar (3600 psi)
Weight kg(lbs.)	7.0 (15.4)
CODE:20	M6X125LgX2pcs M10X120LgX4pcs
CODE:2090	1/4-20UNCX4-7/8"LgX2pcs 3/8-16UNCX4-5/8"Lg X4pcs
Mounting Surface O-Ring P9 x 2 pc & P22A x 4 pcs	



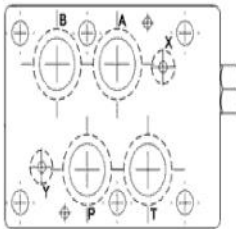
MCA-04
MCT-04



MCB-04
MCP-04

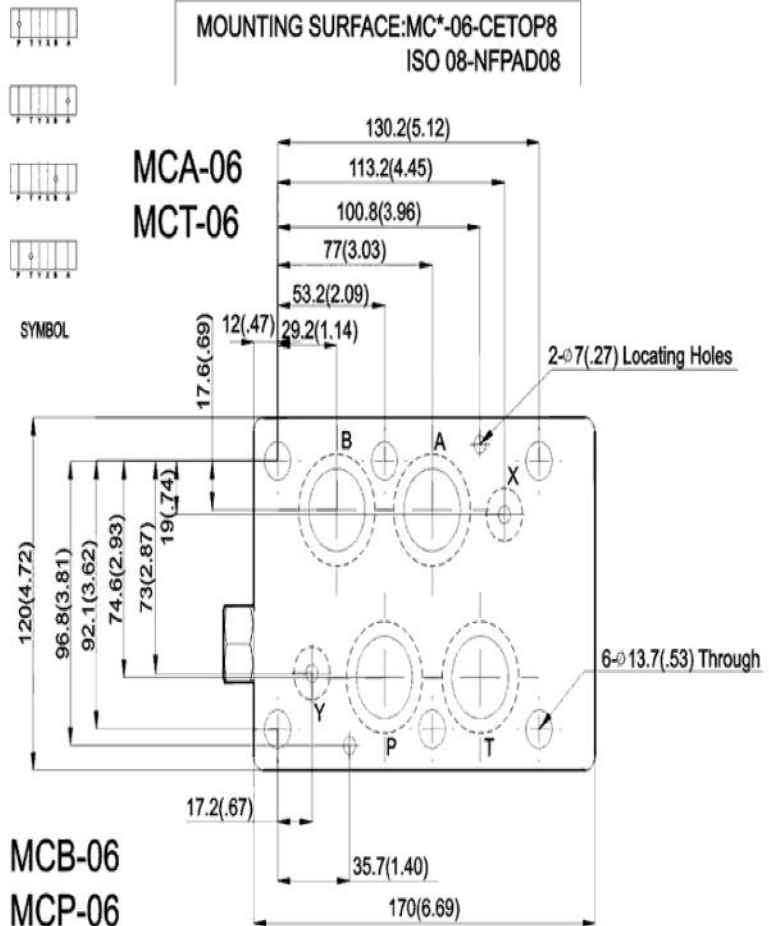
MCP -06 Check Valves(Modular Type)

MOUNTING SURFACE:MC*-06-CETOP8
ISO 08-NFPAD08



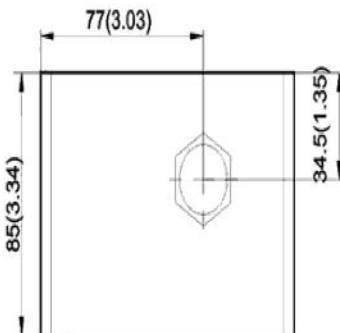
Valve Specifications & Attachment

Flow Rating	300 lpm (79.3 gpm)
Max. Pressure	250 bar (3600 psi)
Weight kg(lbs.)	11.2 (24.6)
CODE:20	M12X140LgX6pcs
CODE:2090	1/2-13UNCX4-5/8"Lg X6pcs
Mounting Surface O-Ring P12 x 2 pc, P28 x 4 pcs	



MCA-06
MCT-06

MCB-06
MCP-06



Ordering Code

MC	P	03	2	20
Series No	Control Line	Valve Size	Cracking Pressure	Design No
Check Modular Valves	P: P Port	(DSG-) 01 (NFPA-D03)	0: 0.35 bar	20 DIN 912 bolts
	A: A Port	(DSG-) 03 (NFPA-D05)	2: 2 bar	2090 UNC bolts (North America)
	B: B Port	(DSHG-) 04 (NFPA-D07)	4: 4 bar	
	T: T Port	(DSHG-) 06 (NFPA-D08)		